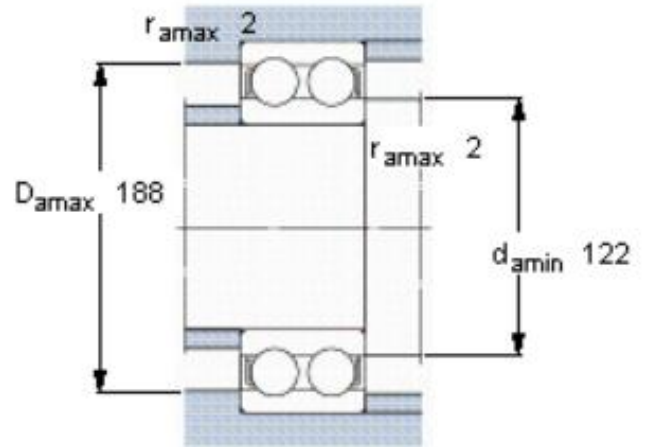
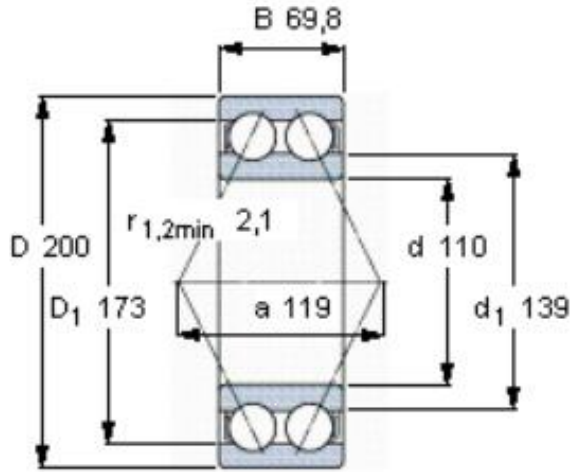


Product details

Package Dimensions ? : ? 8.66 x 8.66 x 3.54 inches; 18 Pounds

Item model number ? : ? 3222 A



计算系数

k_r 0,06
 e 0,8
 X 0,63
 Y₁ 0,78
 Y₂ 1,24
 Y₀ 0,66

Brand SKF
 Material Steel
 Item Weight 18 Pounds
 Bearing Number 3222 amp

SKF 3222 A Double Row Ball Bearing, Standard Capacity, Converging Angle Design, 30° Contact Angle, ABEC 1 Precision, Open, Steel Cage, Normal Clearance, 110mm Bore, 200mm OD, 2 3/4" Width, 2800 rpm Maximum Rotational Speed, 47700.0 pounds Static Load Capacity, 47700.00 pounds Dynamic Load Capacity